

INSTALLATION AND OPERATION INSTRUCTIONS

HotPod™

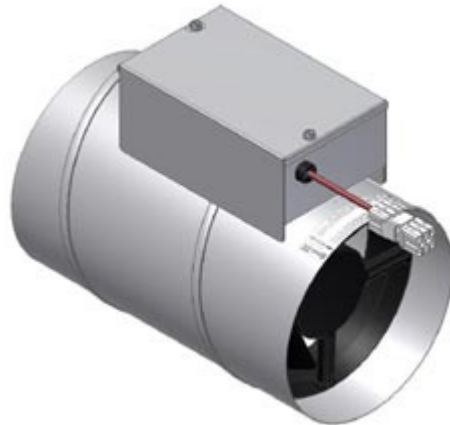
MODELS: EHP6-10002CT
EHP8-14402CT

INSTALLATION INSTRUCTIONS



TPI Corporation
P.O. Box 4973
Johnson City, TN
37602-4973

America's Comfort Conditioning Company



Patent No's.:

US 8,285,127;
8,625,976;
8,787,738;
8,837,922

INSTALLATION REQUIREMENTS

Follow All State and Local Codes.

- Each HotPod™ must be supplied with a dedicated 120 volt AC circuit, 15A for 1000W models, 20Amp for 1440W models. Use 14 ga. copper wire *MINIMUM*.
- For indoor use *ONLY* with 6" or 8" round ductwork (depending on model).
- Units are rated for zero clearance.

CHOOSE LOCATION (Figure 1)

1. Install HotPod™ in a horizontal position *ONLY*.
2. Select a 14" (35.6 cm) section of duct that is a *MINIMUM* of 4 feet (122 cm) from outlet register.
 - Select section so that you can insert male crimped end into inlet side of the HotPod™.
 - Discharge end must point toward outlet register (arrows show air flow direction).
 - Position wiring enclosure to allow permanent access to the wiring compartment.

INSTALL HotPod™

1. Remove 9" (22.9 cm) section of duct for the 6" HotPod or 9 1/2" for the 8" HotPod. Allow an additional 5" (12.7cm) for the optional *Silent Boot*.

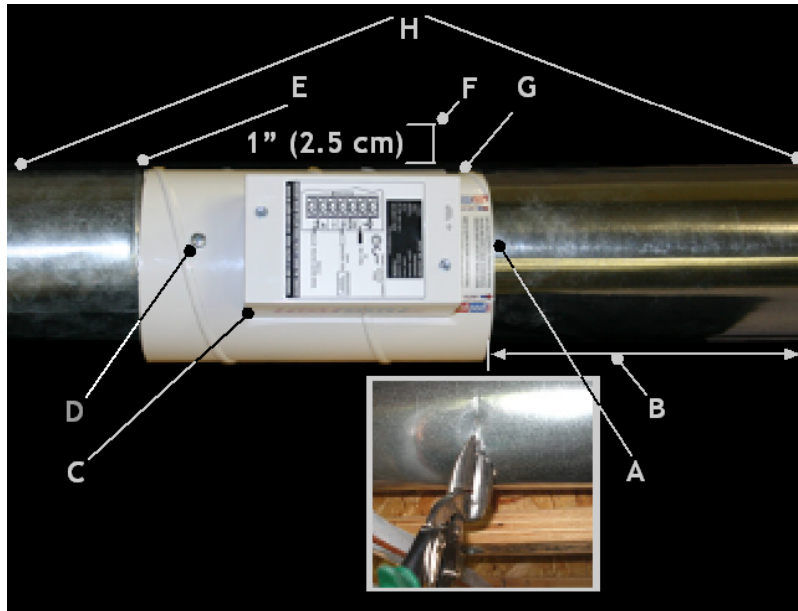
For Rigid Metal Duct

- Crimp ends of the duct as needed to provide male ends for insertion into the HotPod™.
- Fasten with a minimum of 3 sheet metal screws at both ends and within 1.5" (3.8 cm) of the end of the housing. Seal with a good quality duct tape.

For Flexible Duct

- Attach flexible duct directly to HotPod™ housing using approved connection methods.

Fig. 1



- A. Cut out the required amount from the duct (see ***INSTALL HotPod™*** for dimensions).
- B. MINIMUM 4 feet (122cm) from outlet register.
- C. Wiring cover
- D. Fasten with 3 sheet metal screws both ends.
- E. Insert male crimped end.
- F. Crimp the cut end.
- G. Add vibration-damped supports at both ends.

POWER WIRING

Warning !

Remove power from 120Vac circuit selected. Do not energize circuit until all connections are made and HotPod™ wiring enclosure is closed after installation.

FOR PERMANENT WIRED MODELS

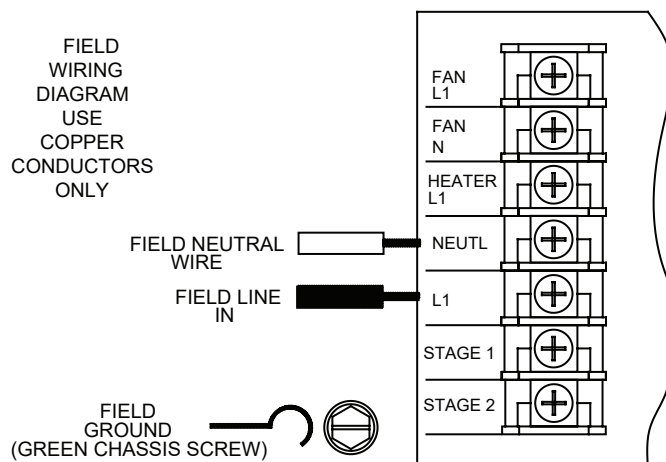
1. Remove wiring cover. Following all local codes, connect to 120 Vac, 15 amp dedicated circuit for 1000w models, and 120 Vac, 20amp dedicated circuit for 1440w models. Provide strain relief for all wiring.

- A. Black/hot wire to “L1” terminal (See Fig.2).
- B. White/neutral wire to “NEUT ” terminal (See Fig.2).
- C. Green or ground wire to green housing ground screw.

CORD CONNECTED MODELS

For cord connected models, plug the unit into a nema type 5-15R receptacle on a dedicated 15amp or 20 amp circuit depending on model.

Fig. 2



THERMOSTAT INSTALLATION FOR 'HARD-WIRED' THERMOSTATS

Note: All thermostats may not operate the HotPod correctly. The thermostat must operate the fan with the heat.

CONTROL WIRING

The HotPod is provided with a low voltage wall thermostat.

1. Disconnect the power supply to the HotPod.
2. For the HotPod Control Board connection remove approximately 2 1/2" of the the outer jacket from the thermostat cable, 20 AWG min. solid conductor is recommended. Use electrical materials approved by applicable codes.
3. Feed thermostat cable through the "double d" hole in control board enclosure.
4. Connect the wires to the proper terminals. (See Fig.3)
5. Place strain relief (provided) around the thermostat cable, approximately 3 1/2 inches from stripped end. Using a pair of pliers press firmly onto cable and into "double d" shaped hole provided in control board enclosure.

HOTPOD CONTROL BOARD

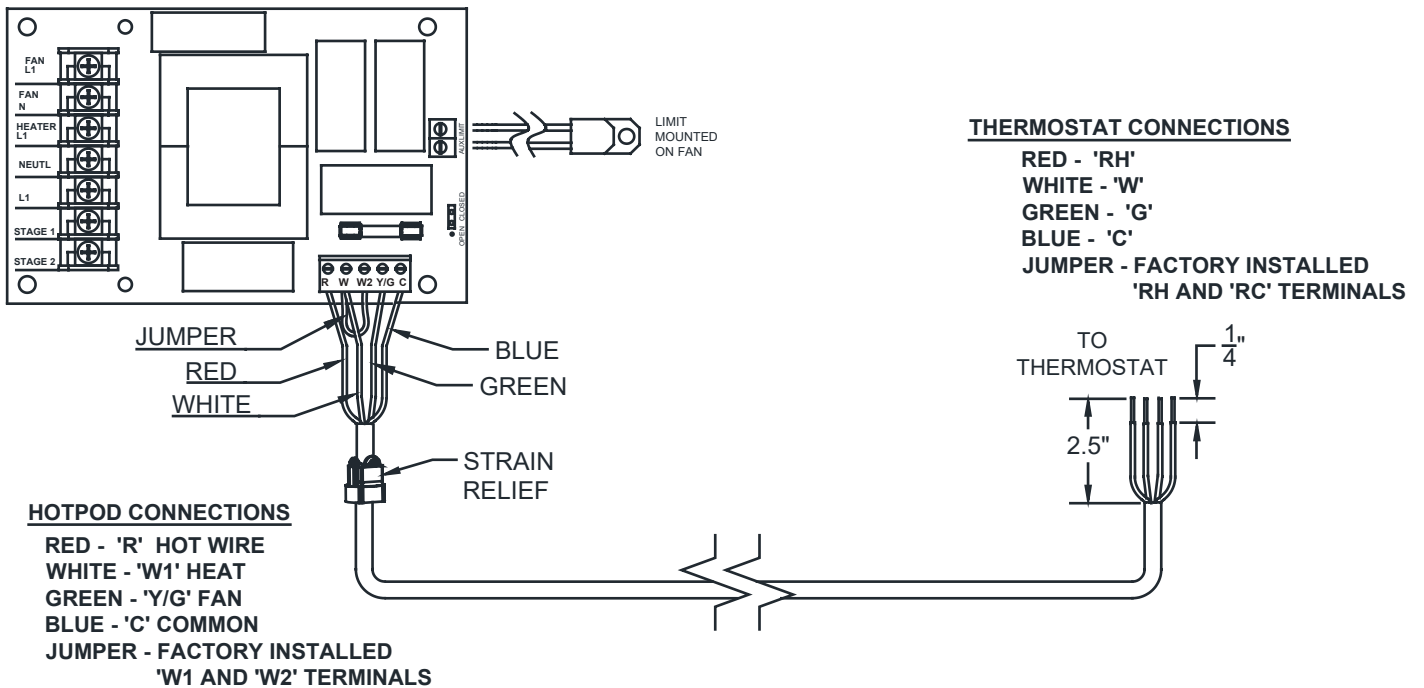


Fig. 3

THERMOSTAT INSTALLATION INSTRUCTIONS

Determine the location where the thermostat is to be mounted. It should be installed about 54" above floor level where there is good air circulation. Avoid heat sources such as lamps, direct sunlight, fireplaces or walls containing air conditioning and heating ducts. Do not install where anything can obstruct free air flow such as drapes or doors.

1. Disconnect the power supply to the HotPod.
2. Follow instructions included with the thermostat for installation procedures.
3. Choose a proper location for the thermostat following instructions outlined above. Insure proper fit. for dimensions see below (FIG 4).
4. For the thermostat connection remove approximately 2 1/2" of the outer jacket and strip the individual conductors approximately 1/4". Use electrical materials approved by applicable codes.
5. Feed electrical wires from the system through the opening in wall plate. Wiring must not interfere with the operation of the thermostat.
6. Connect the wires to the proper terminals. (See Fig.3)
7. Once you have finished installing the thermostat in the desired location, restore power to the Hotpod.
8. Refer to instructions included with the thermostat for setup and operating details.

THERMOSTAT SETUP INSTRUCTIONS

Once you have restored power to the Hotpod the thermostat will begin to operate.

1. Press and Hold the **+** and **-** buttons for 3 seconds
2. Select **TECH** button at lower left
3. Configure the installer options as you desire by changing the settings using the **+** or **-** buttons. Press **PREV** or **NEXT** buttons to move from one step to another.
4. THE FOLLOWING STEPS MUST BE CHOSEN FOR THE HOTPOD SYSTEM TO WORK CORRECTLY.
5. Step 1: Your preference
6. Step 2: **COMP DELAY** set to **OF**
7. Step 3 through 8: Your preference
8. Step 9: **SYS MODE** set to **HC**
9. Step 10: **FAN OPER** set to **EL**
10. To exit **TECH** setup: press and hold the **+** and **-** buttons for 3 seconds, or wait 20 seconds.
11. For Wifi setup: follow instructions included with the thermostat.

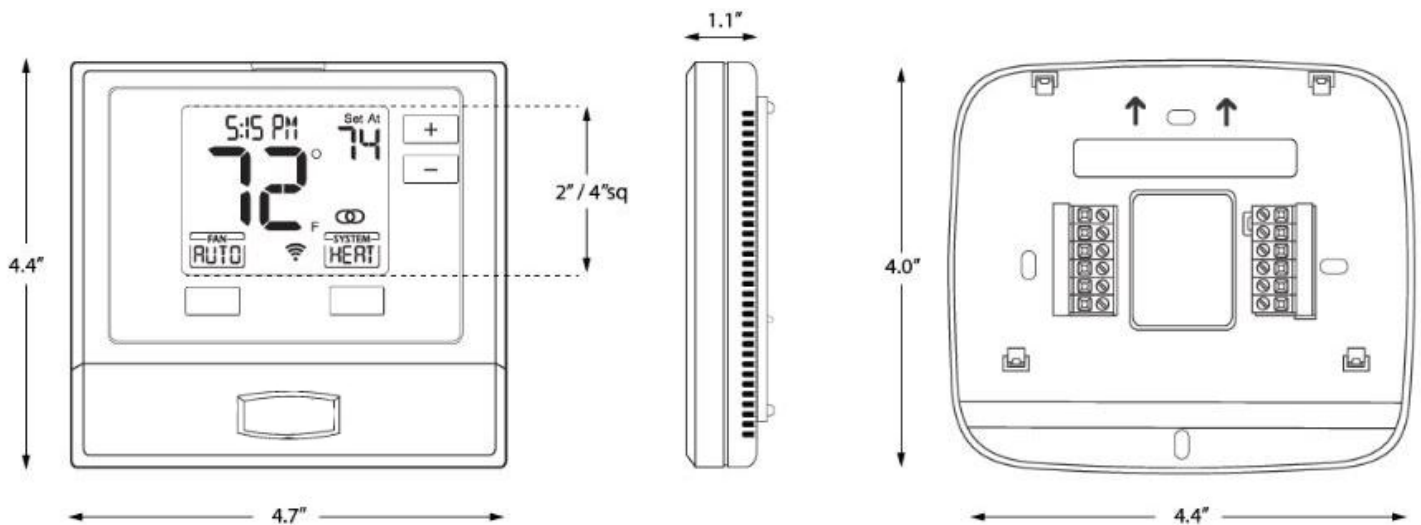


Fig. 4